

**PNY**®



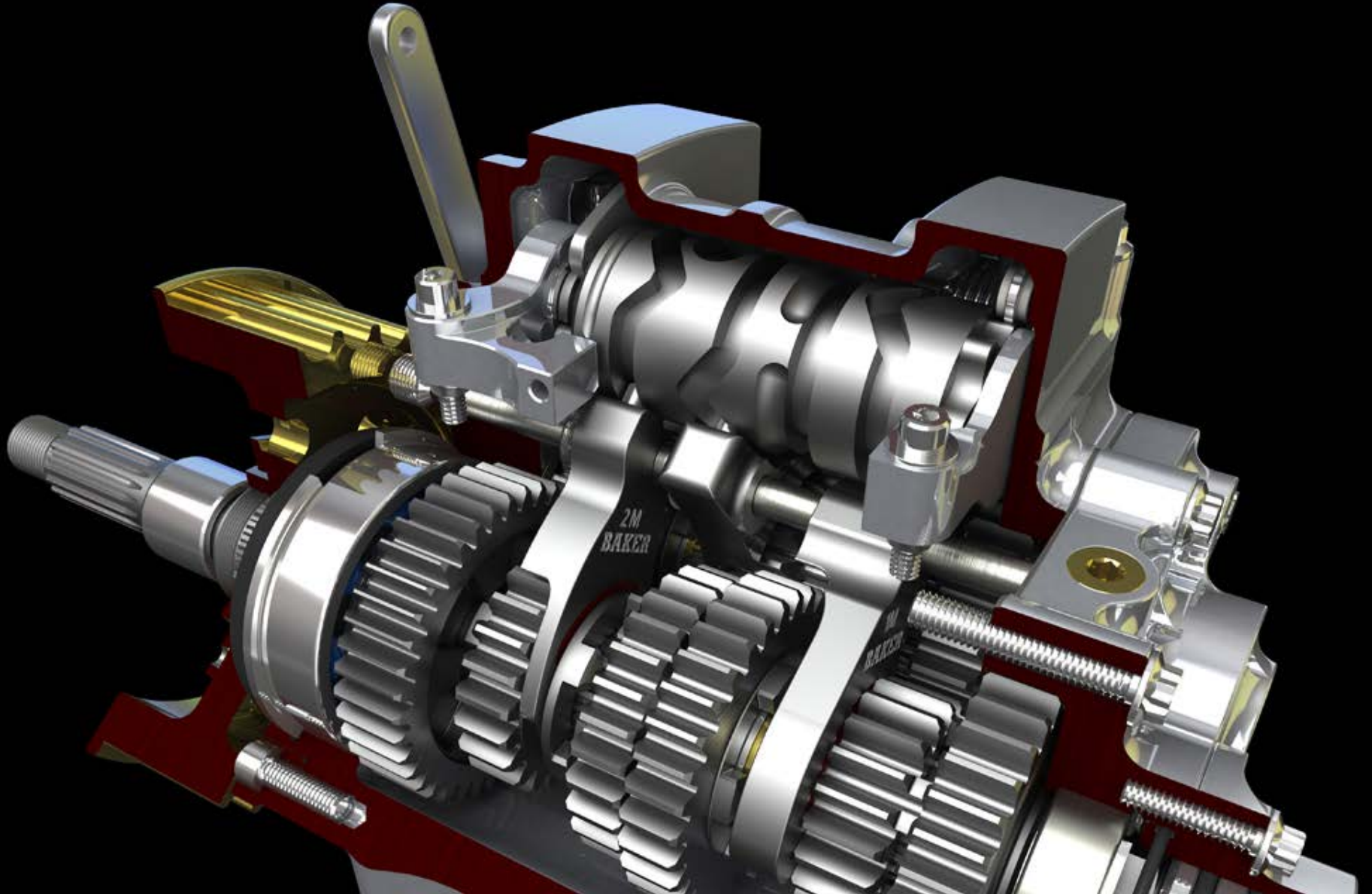
**NVIDIA Quadro by PNY**

**Experience SolidWorks Without Limits**

# NVIDIA Quadro by PNY

Experience SolidWorks Without Limits

PNY



# NVIDIA Quadro by PNY

## Best SolidWorks design experience

<b>Highest performance</b>	
▪	Interactive performance with complex 3D CAD models
<b>Highest quality designs and images</b>	
▪	Interactive rendering with RealView, advanced shadows, up to 64X FSAA
<b>Workflow acceleration</b>	
▪	Full scene anti-aliasing, up to 64X
<b>Time for a graphics upgrade</b>	
▪	NVIDIA Quadro 2000 provides 3X the performance of previous NVIDIA GPUs*



PNY

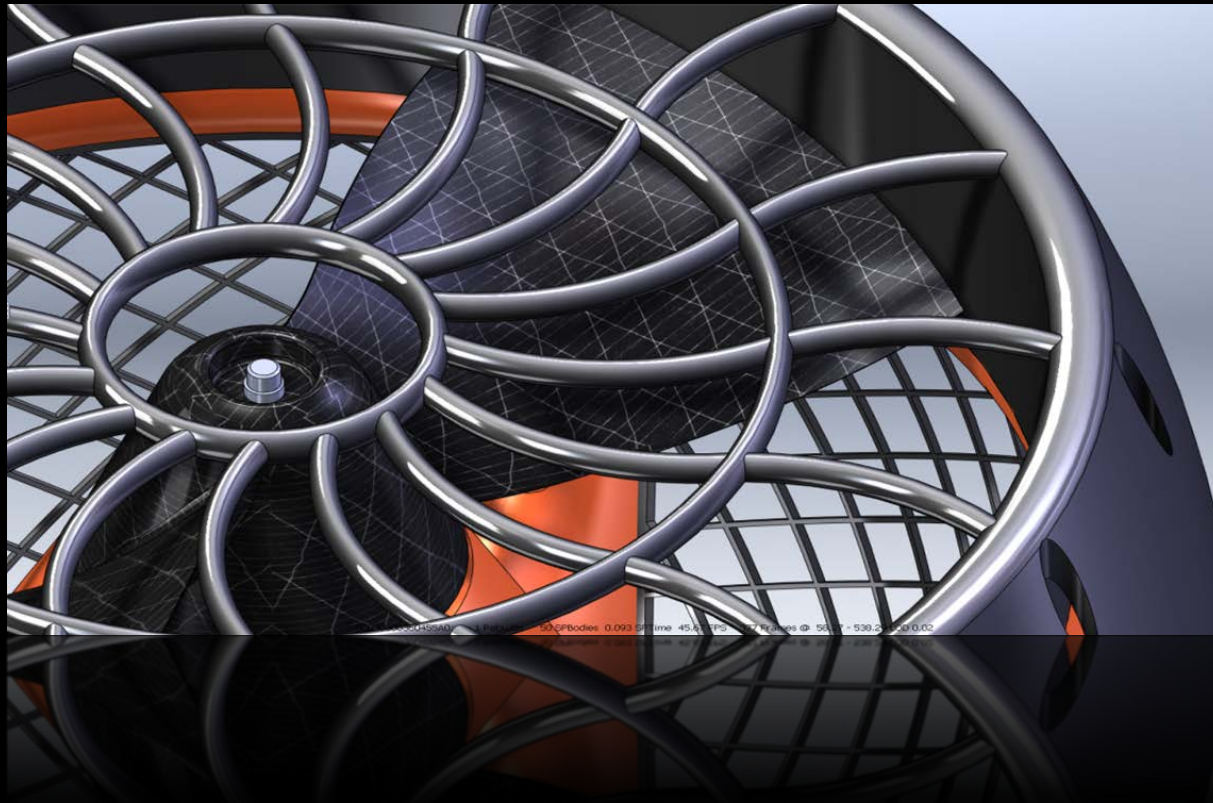


\*Based on SPECviewperf 11 SolidWorks compared to N-2 generation cards

# NVIDIA Quadro by PNY

Best IT management experience

- Exclusive features and performance maximize software value
- Unified driver across all Quadro models
- Developed on, certified and supported directly by SolidWorks



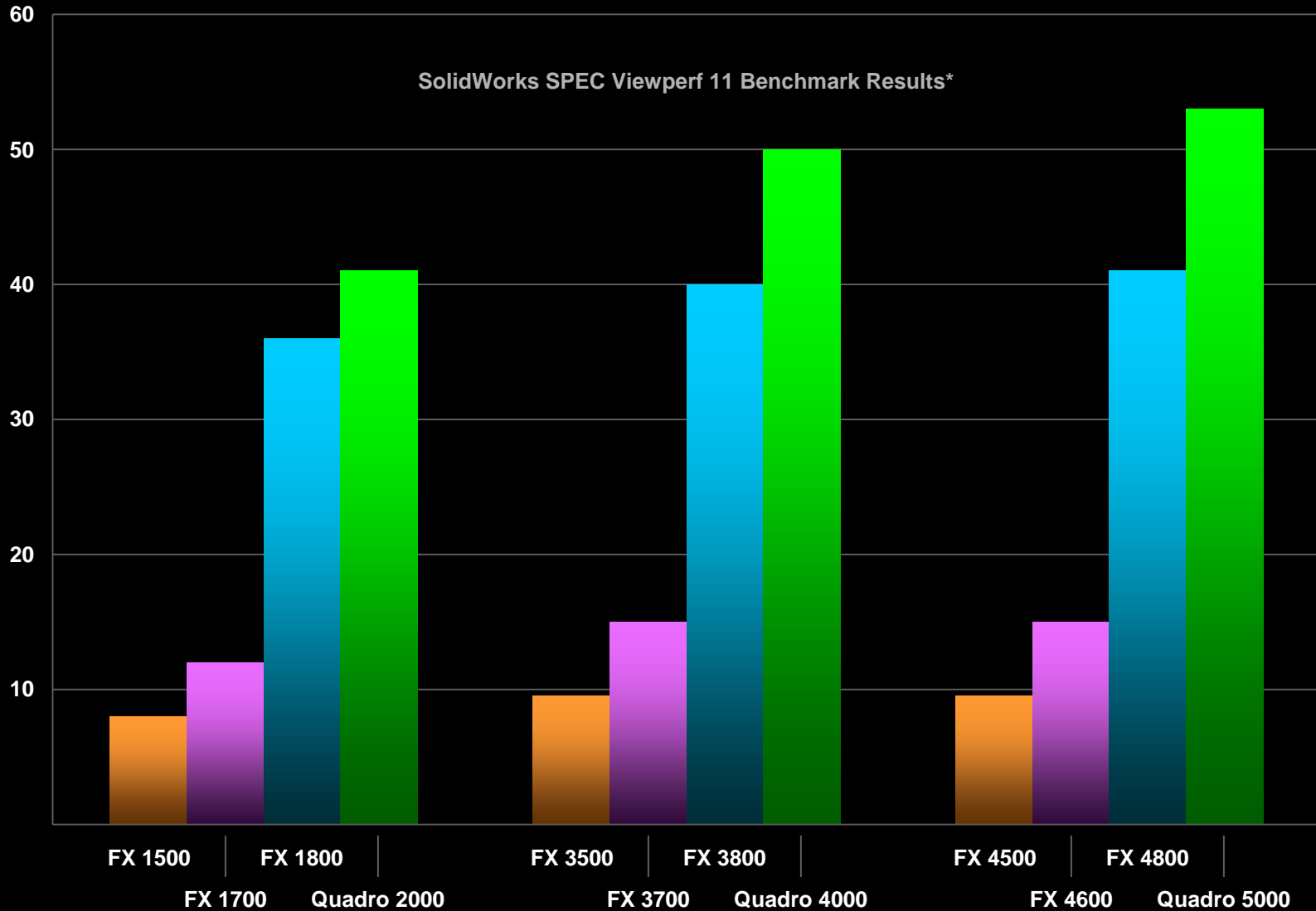
PNY



# Superior Performance

## Time for a graphics upgrade

PNY



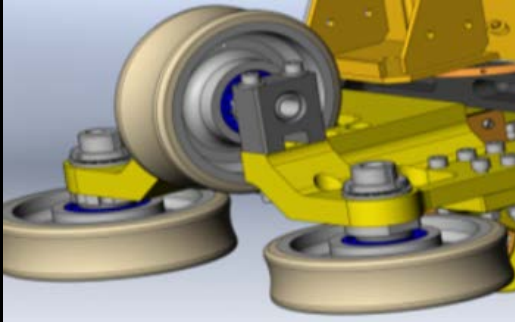
\*Based on standardized benchmark SPEC Viewperf 11 SW03



# NVIDIA Quadro for SolidWorks

## Accelerated graphics modes

Shaded with Edges



Realistic Shadows



RealView



NVIDIA works directly with SolidWorks to ensure that the new, more realistic drawing modes, deliver full performance and quality with Quadro professional graphics boards



PNY



# Full Scene Antialiasing

## Quadro supports 64x full scene antialiasing

Dramatically improves RealView image quality

- Removes jagged edges, producing high quality, realistic images
- No compromise on performance, models stay interactive
- Full 64X FSAA supported by Quadro 2000, 2000D, 4000, 5000 and 6000

Without FSAA – jagged edges are visible



With FSAA – edges are smooth



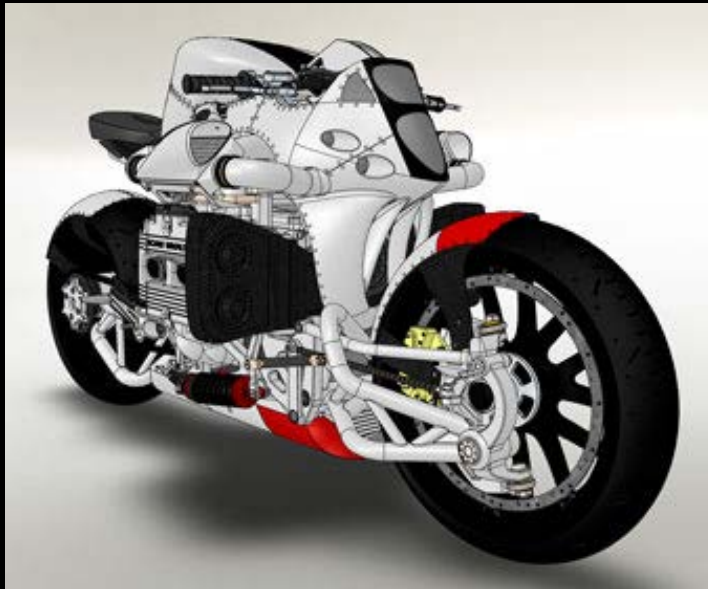
# RealView Realtime Rendering

## Quadro enhances RealView

Highly used and desirable feature , utilized by greater than 70% of installed base

- Supports complex materials surfaces, reflections and shadows
- Brings more realism and accuracy to your designs than ever before
- Faster than ever before on Quadro Fermi-based GPUs

Without RealView



With RealView



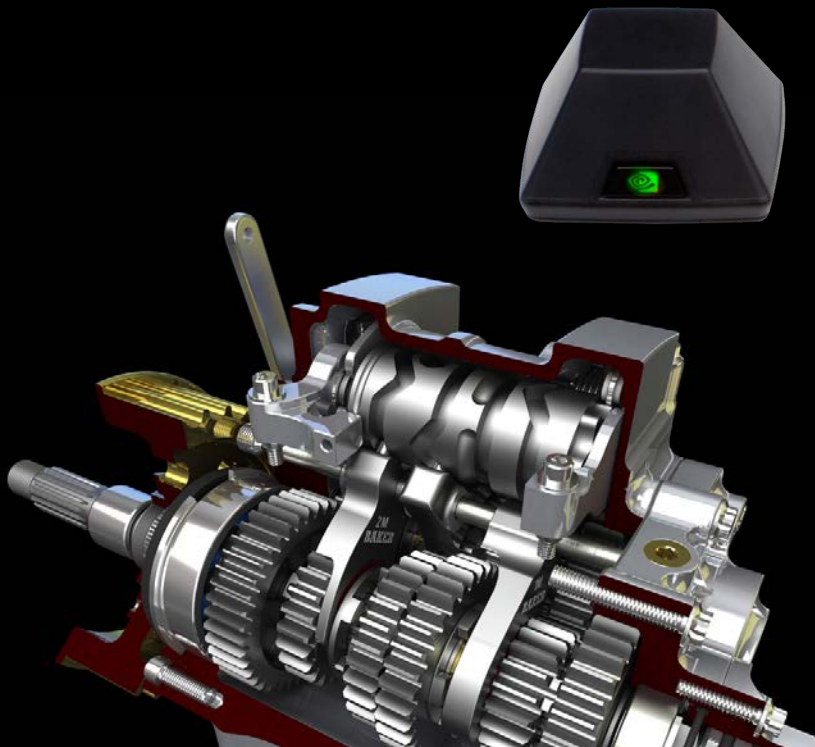


# eDrawings in Stereoscopic 3D with 3D Vision Pro

Give designers and customers a truer design representation

3D Vision Pro Hub (Emitter)	
▪	Up to 100 foot range
▪	Provides UI and NVAPI information
▪	Quadro board support via stereo DIN or USB
▪	In addition to eDrawings supports other applications frequently utilized in SolidWorks-based workflows

3D Vision Pro Glasses	
▪	120Hz active shutter
▪	2.4GHz RF control
▪	24 hour operational battery life
▪	Support for 3D Vision Ready LCD panels, projectors, DLP TVs and CRTs



PNY



# Bunkspeed Shot and Move

## Photorealistic ray tracing for SolidWorks

### Easy to use interactive ray tracing

- File compatible with SolidWorks workflows
- 3x GPU performance advantage over latest multi-core CPUs
- Performance scales across multiple Quadro GPUs



# Industry Accolades for SolidWorks on Quadro

Recent reviews tell a consistent story



“...when it comes to applications like SolidWorks and others, the Quadro 5000 just provides the best performance available in a high end professional graphics board.”



“Once again, the Quadro 5000 destroys the competition”



“Given the test results the performance king is set clearly: the NVIDIA Quadro 5000 is in almost all categories superior to the ATI FirePro V8800 by a large margin.”

# Why Quadro vs. Consumer Gaming Cards

Certified and supported by SolidWorks, NVIDIA, and PNY

## Exclusive features and performance enhancements

- Shaded with Edges acceleration
- FSAA modes and performance
- RealView only available with Quadro

Chosen development platform of SolidWorks



PNY



# Suggested SolidWorks Quadro Products

## Best | Quadro 5000 | [VCQ5000-PB](#)

- Highly detailed multi-bodied parts, large number of features
- Largest assemblies and complex surface models
- Supports full detail in assembly mode
- Large 2D drawings with multiple sections views and cross-hatching
- Best choice for complex geometry, transparency, hidden line removal



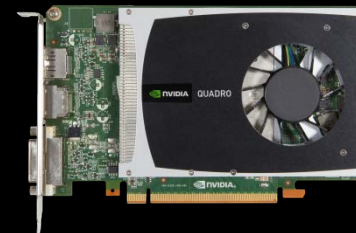
## Better | Quadro 4000 | [VCQ4000-PB](#)

- Detailed single and multi-bodied parts, large number of history features
- Effortless rotations and pans
- Large 2D drawings with excellent response in shaded or hidden line mode
- Excellent choice for working in context with partial transparency



## Good | Quadro 2000 | [VCQ2000-PB\\*](#)

- Detailed single and multi-bodied parts, small to medium sized assemblies
- Smooth screen rotations
- Large 2D drawings with excellent response time to pan, zoom and redraw



PNY



\* Quadro 2000D with two (2) DVI-DL connectors offers identical performance



# PNY Professional Graphics Solutions

Get the advantage.

Learn More: [www.pny.com/quadro](http://www.pny.com/quadro)



Graphics Solutions by

**PNY**®

